



# PREGLED SUDJELOVANJA

Croatia OPEN 2011

ZAGREB, 21.5.2011.

KADETI - GR

R.br.	EKIPA	MJESTO	42 kg	46 kg	50 kg	54 kg	58 kg	63 kg	69 kg	76 kg	85 kg	100 kg	Ukupno
1.	BOSNIA AND						1			1		1	3
2.	BULGARIA		1	1	1	1	1	1	2	1	1		10
3.	CROATIA			1	2	1	1	2	3	3	1	1	15
4.	GAVRILOVIĆ	PETRINJA		2	1		1	1	1				6
5.	HRVATSKI DRAGOVOLJAC	ZAGREB	1			1				3			5
6.	HUNGARY				2	2	2	2	2	2	1	1	14
7.	INAS	ZAGREB						1					1
8.	KLINČA SELA	KLINČA SELA									1		1
9.	LIKA	ZAGREB									3		3
10.	METALAC	ZAGREB			1	1				1	1		4
11.	PIK VRBOVEC	VRBOVEC					3		2				5
12.	SESVETE	ZAGREB										2	2
13.	SESVETSKI KRALJEVEC	ZAGREB							2				2
14.	SISAK	SISAK					1						1
15.	SLATINA	SLATINA									1		1
16.	SLOVENIA						1		1	2			4
17.	VINDIJA	VARAŽDIN					1	1		1		1	4
18.	ZAGREB	ZAGREB						3	1				4
<b>UKUPNO NATJECATELJA</b>			<b>2</b>	<b>4</b>	<b>7</b>	<b>6</b>	<b>12</b>	<b>11</b>	<b>14</b>	<b>14</b>	<b>9</b>	<b>6</b>	<b>85</b>



# COMPETITION SHEET

Croatia OPEN 2011

ZAGREB, 21.5.2011.

KADETI - GR

**42**  
kg

No	Wrestler	Team	1	2	PP	PL.
1.	AGIĆ Tibor	Hrvatski Dragovoljac		0	0	2.
2.	SPASOV Avgustin	Bulgaria	5		5	1.

## N1

1	0 0	AGIĆ Tibor	HD	P1 0	P2 0	P3 0
2	5 3	SPASOV Avgustin	BUL	P1 3	P2 0	P3 0

## CLASSIFICATION

Place	Wrestler	Team
1.	SPASOV Avgustin	BUL
2.	AGIĆ Tibor	HD



# COMPETITION SHEET

## Croatia OPEN 2011

ZAGREB, 21.5.2011.

KADETI - GR

**46**  
kg

No	Wrestler	Team	1	2	3	4	PP	PL.
1.	STJEPIĆ Mario	Croatia		4	3	3	10	1.
2.	CERJAK Nikola	Gavrilović	0		0	0	0	4.
3.	VIDOVIĆ Dragan	Gavrilović	0	5		1	6	3.
4.	EMILOV Kanco Rumenov	Bulgaria	1	4	3		8	2.

### N1

1	$\frac{4}{12}$	STJEPIĆ Mario	CRO	$\frac{P1}{6}$	$\frac{P2}{6}$	$\frac{P3}{0}$
2	$\frac{0}{0}$	CERJAK Nikola	GAV	$\frac{P1}{0}$	$\frac{P2}{0}$	$\frac{P3}{0}$

3	$\frac{1}{1}$	VIDOVIĆ Dragan	GAV	$\frac{P1}{0}$	$\frac{P2}{1}$	$\frac{P3}{0}$
4	$\frac{3}{3}$	EMILOV Kanco Rumenov	BUL	$\frac{P1}{1}$	$\frac{P2}{2}$	$\frac{P3}{0}$

### N2

1	$\frac{3}{10}$	STJEPIĆ Mario	CRO	$\frac{P1}{7}$	$\frac{P2}{3}$	$\frac{P3}{0}$
3	$\frac{0}{0}$	VIDOVIĆ Dragan	GAV	$\frac{P1}{0}$	$\frac{P2}{0}$	$\frac{P3}{0}$

2	$\frac{0}{0}$	CERJAK Nikola	GAV	$\frac{P1}{0}$	$\frac{P2}{0}$	$\frac{P3}{0}$
4	$\frac{4}{12}$	EMILOV Kanco Rumenov	BUL	$\frac{P1}{6}$	$\frac{P2}{6}$	$\frac{P3}{0}$

### N3

1	$\frac{3}{9}$	STJEPIĆ Mario	CRO	$\frac{P1}{5}$	$\frac{P2}{4}$	$\frac{P3}{0}$
4	$\frac{1}{3}$	EMILOV Kanco Rumenov	BUL	$\frac{P1}{1}$	$\frac{P2}{2}$	$\frac{P3}{0}$

2	$\frac{0}{0}$	CERJAK Nikola	GAV	$\frac{P1}{0}$	$\frac{P2}{0}$	$\frac{P3}{0}$
3	$\frac{5}{5}$	VIDOVIĆ Dragan	GAV	$\frac{P1}{5}$	$\frac{P2}{0}$	$\frac{P3}{0}$

## CLASSIFICATION

Place	Wrestler	Team
1.	STJEPIĆ Mario	CRO
2.	EMILOV Kanco Rumenov	BUL
3.	VIDOVIĆ Dragan	GAVR
3.	CERJAK Nikola	GAVR



# COMPETITION SHEET

## Croatia OPEN 2011

ZAGREB, 21.5.2011.

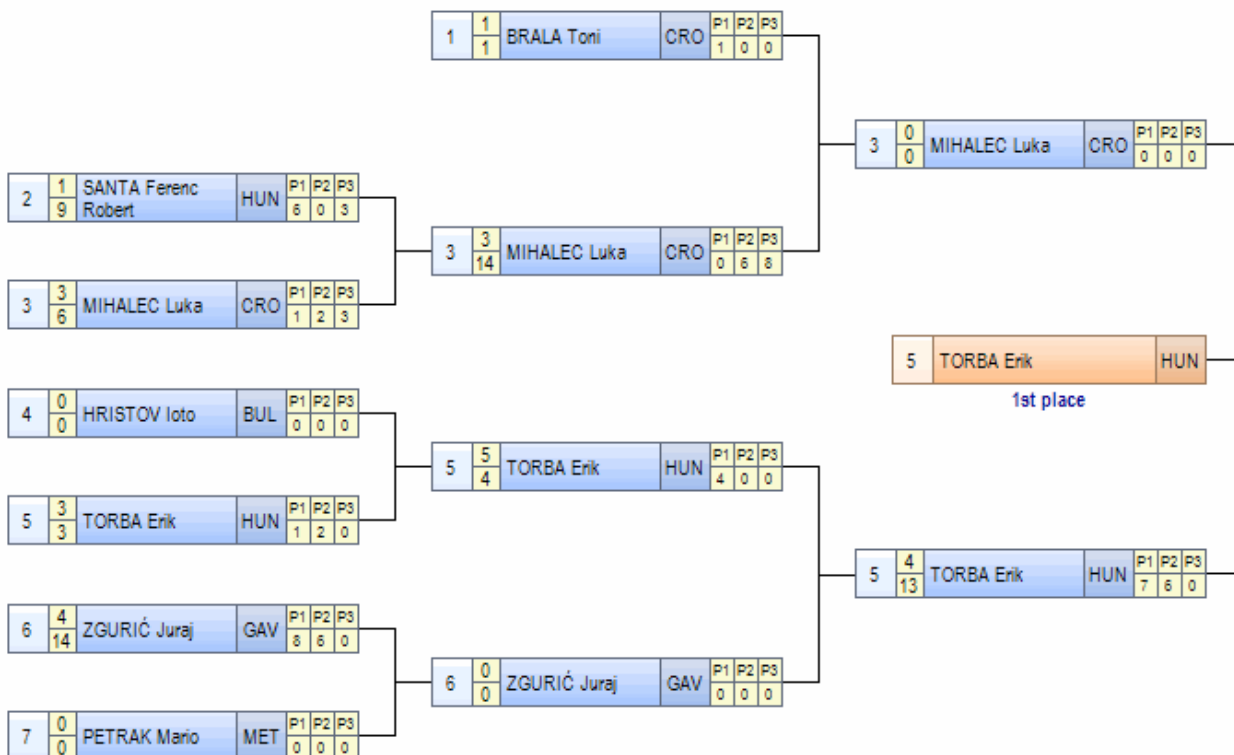
KADETI - GR

**50**  
kg

Q

1/2 F

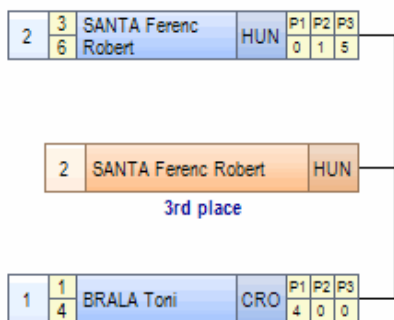
F



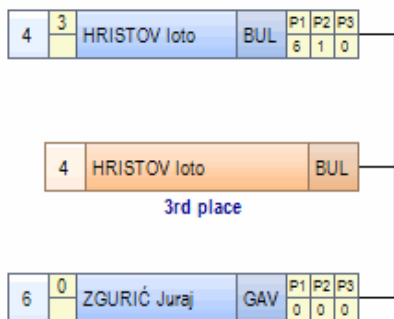
### CLASSIFICATION

Place	Wrestler	Team
1.	TORBA Erik	HUN
2.	MIHALEC Luka	CRO
3.	SANTA Ferenc Robert	HUN
3.	HRISTOV Ioto	BUL
5.	BRALA Toni	CRO
5.	ZGURIĆ Juraj	GAVR
7.	PETRAK Mario	MET

Repechage A



Repechage B





# COMPETITION SHEET

## Croatia OPEN 2011

ZAGREB, 21.5.2011.

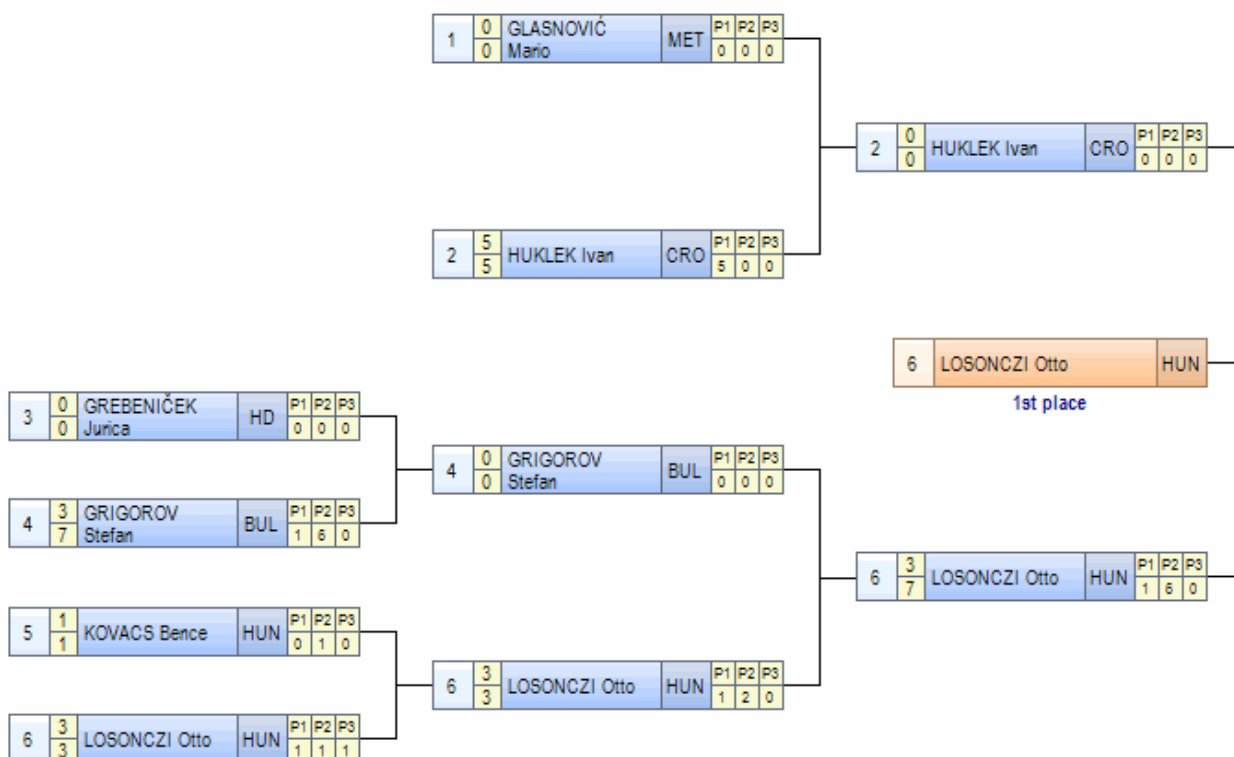
KADETI - GR

**54**  
kg

Q

1/2 F

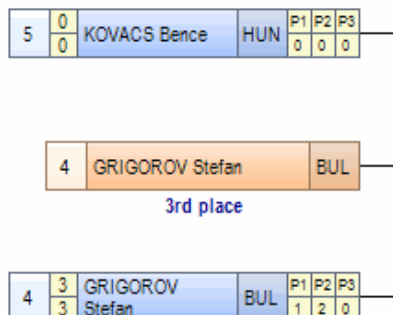
F



### CLASSIFICATION

Place	Wrestler	Team
1.	LOSONCZI Otto	HUN
2.	HUKLEK Ivan	CRO
3.	GLASNOVIĆ Mario	MET
3.	GRIGOROV Stefan	BUL
5.	KOVACS Bence	HUN
5.	GREBENIČEK Jurica	HD

Repechage B







# COMPETITION SHEET

## Croatia OPEN 2011

ZAGREB, 21.5.2011.

KADETI - GR

**63**  
kg

Q

1/4 F

1/2 F

F

1	0	KAPULAR	ZGB	P1	P2	P3
	0	Mateo		0	0	0

2	5	ŠAČIĆ Filip	CRO	P1	P2	P3
	4			4	0	0

3	3	ŠIMATIĆ	CRO	P1	P2	P3
	3	Kristijan		2	1	0

4	0	TAHIR Ahmet	BUL	P1	P2	P3
	0			0	0	0

5	0	GRADEČAK	VIN	P1	P2	P3
	0	Alen		0	0	0

7	5	KLARIĆ Matej	GAV	P1	P2	P3
	14			7	7	0

8	1	PAMUKI	HUN	P1	P2	P3
	2	Tamas		0	2	0

11	3	FEK Szabolc	HUN	P1	P2	P3
	7			1	6	0

2	0	ŠAČIĆ Filip	CRO	P1	P2	P3
	0			0	0	0

3	3	ŠIMATIĆ	CRO	P1	P2	P3
	7	Kristijan		2	5	0

7	1	KLARIĆ Matej	GAV	P1	P2	P3
	2			0	2	0

11	3	FEK Szabolc	HUN	P1	P2	P3
	9			6	3	0

3	1	ŠIMATIĆ	CRO	P1	P2	P3
	2	Kristijan		1	1	0

11		FEK Szabolc	HUN			
----	--	-------------	-----	--	--	--

1st place

11	3	FEK Szabolc	HUN	P1	P2	P3
	3			2	0	1

6	1	PURGARIĆ	ZGB	P1	P2	P3
	2	Izidor		0	2	0

7	3	KLARIĆ Matej	GAV	P1	P2	P3
	13			6	0	7

8	3	PAMUKI	HUN	P1	P2	P3
	3	Tamas		2	1	0

9	0	ČETKOVIĆ	INA	P1	P2	P3
	0	Goran		0	0	0

10	1	BANJEDVOR	ZGB	P1	P2	P3
	3	EC Dominik		0	3	0

11	4	FEK Szabolc	HUN	P1	P2	P3
	15			6	9	0

### CLASSIFICATION

Place	Wrestler	Team
1.	FEK Szabolc	HUN
2.	ŠIMATIĆ Kristijan	CRO
3.	ŠAČIĆ Filip	CRO
3.	PAMUKI Tamas	HUN
5.	TAHIR Ahmet	BUL
5.	KLARIĆ Matej	GAVR
7.	BANJEDVOREC Dominik	ZGB
8.	PURGARIĆ Izidor	ZGB
9.	ČETKOVIĆ Goran	INAS
10.	KAPULAR Mateo	ZGB
11.	GRADEČAK Alen	VIND

### Repechage A

4	1	TAHIR Ahmet	BUL	P1	P2	P3
	7			2	4	1

2		ŠAČIĆ Filip	CRO			
---	--	-------------	-----	--	--	--

3rd place

2	3	ŠAČIĆ Filip	CRO	P1	P2	P3
	7			0	5	2

### Repechage B

10	0	BANJEDVOR	ZGB	P1	P2	P3
	0	EC Dominik		0	0	0

8	4	PAMUKI	HUN	P1	P2	P3
	12	Tamas		6	6	0

8	3	PAMUKI	HUN	P1	P2	P3
	5	Tamas		3	1	1

8		PAMUKI Tamas	HUN			
---	--	--------------	-----	--	--	--

3rd place

7	1	KLARIĆ Matej	GAV	P1	P2	P3
	2			1	1	0







# COMPETITION SHEET

## Croatia OPEN 2011

ZAGREB, 21.5.2011.

KADETI - GR

**85**  
kg

Q

1/4 F

1/2 F

F

1	5	NAYDENOV	BUL	P1	P2	P3
	4	Nikolay		4	0	0

2	0	BAGARIĆ	LIK	P1	P2	P3
	0	Josip		0	0	0

3	0	STUNJA	KLS	P1	P2	P3
	0	Josip		0	0	0

4	4	JELAVIĆ	SLA	P1	P2	P3
	13	Matej-1994		7	6	0

5	5	BREZAK Ivan	MET	P1	P2	P3
	7			4	3	0

6	0	BAGARIĆ	LIK	P1	P2	P3
	5	Domagoj		5	0	0

7	0	ŠOKČEVIĆ	CRO	P1	P2	P3
	0	Ivan		0	0	0

8	5	TOROK Zsolt	HUN	P1	P2	P3
	10			7	3	0

9	0	KAJFEŠ Luka	LIK	P1	P2	P3
	0			0	0	0

8	5	TOROK Zsolt	HUN	P1	P2	P3
	4			1	3	0

1	3	NAYDENOV	BUL	P1	P2	P3
	5	Nikolay		3	1	1

4	1	JELAVIĆ	SLA	P1	P2	P3
	4	Matej-1994		4	0	0

5	0	BREZAK Ivan	MET	P1	P2	P3
	0			0	0	0

8	5	TOROK Zsolt	HUN	P1	P2	P3
	9			5	4	0

1	0	NAYDENOV	BUL	P1	P2	P3
	0	Nikolay		0	0	0

8	TOROK Zsolt	HUN
---	-------------	-----

1st place

8	5	TOROK Zsolt	HUN	P1	P2	P3
	4			4	0	0

### Repechage A

2	0	BAGARIĆ	LIK	P1	P2	P3
	0	Josip		0	0	0

4	JELAVIĆ Matej-1994	SLA
---	--------------------	-----

3rd place

4	4	JELAVIĆ	SLA	P1	P2	P3
	13	Matej-1994		6	7	0

### Repechage B

9	0	KAJFEŠ Luka	LIK	P1	P2	P3
	0			0	0	0

7	5	ŠOKČEVIĆ	CRO	P1	P2	P3
	11	Ivan		7	4	0

7	5	ŠOKČEVIĆ	CRO	P1	P2	P3
	7	Ivan		7	0	0

7	ŠOKČEVIĆ Ivan	CRO
---	---------------	-----

3rd place

5	0	BREZAK Ivan	MET	P1	P2	P3
	0			0	0	0

### CLASSIFICATION

Place	Wrestler	Team
1.	TOROK Zsolt	HUN
2.	NAYDENOV Nikolay	BUL
3.	JELAVIĆ Matej-1994	SLA
3.	ŠOKČEVIĆ Ivan	CRO
5.	BAGARIĆ Josip	LIKA
5.	BREZAK Ivan	MET
7.	BAGARIĆ Domagoj	LIKA
8.	STUNJA Josip	KLS
9.	KAJFEŠ Luka	LIKA



# COMPETITION SHEET

## Croatia OPEN 2011

ZAGREB, 21.5.2011.

KADETI - GR

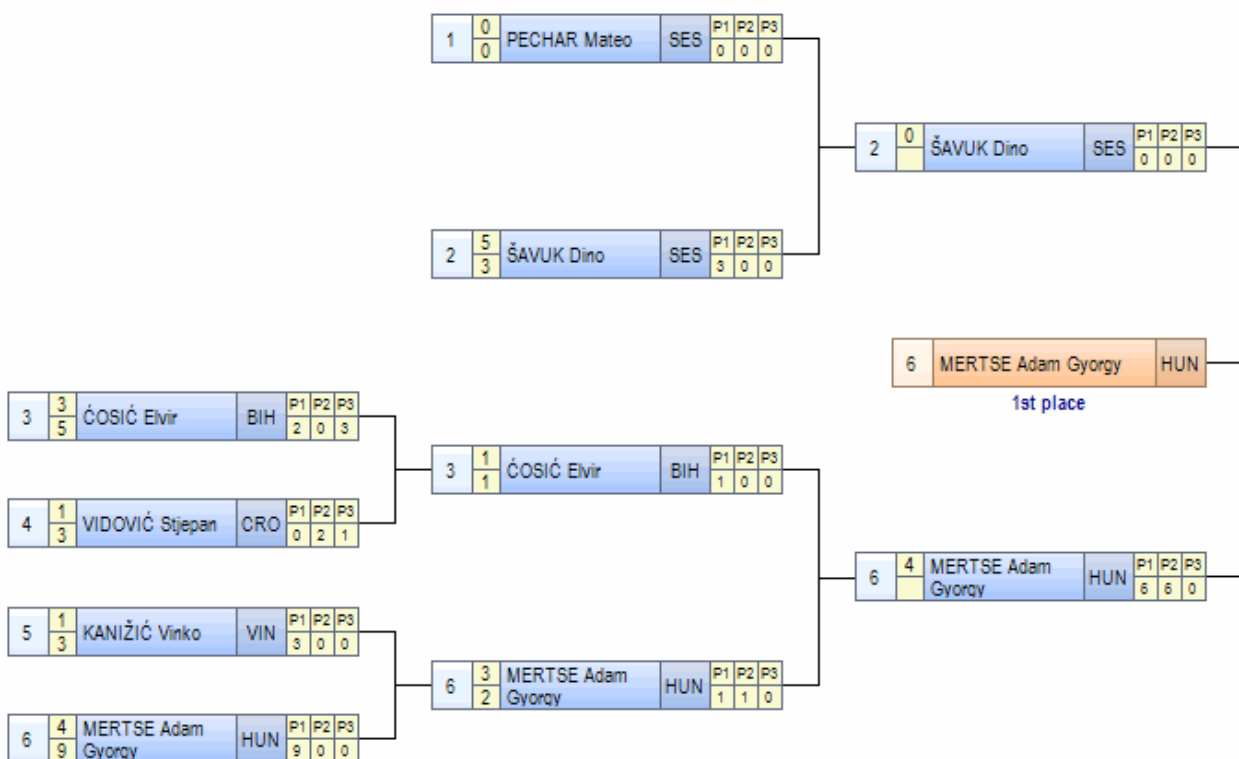
# 100

kg

Q

1/2 F

F



### CLASSIFICATION

Place	Wrestler	Team
1.	MERTSE Adam Gyorgy	HUN
2.	ŠAVUK Dino	SES
3.	PECHAR Mateo	SES
3.	ĆOSIĆ Elvir	BIH
5.	KANIŽIĆ Vinko	VIND
5.	VIDOVIĆ Stjepan	CRO

Repechage B





# POJEDINAČNI POREDAK PO KATEGORIJAMA

Croatia OPEN 2011

ZAGREB, 21.5.2011.

KADETI - GR

<b>42 kg</b>			
1	Spasov Avgustin	BULGARIA	10.00
2	Agić Tibor	HRVATSKI DRAGOVOLJAC	9.00
			<b>19.00</b>
<b>46 kg</b>			
1	Stjepić Mario	CROATIA	10.00
2	Emilov Kanco Rumenov	BULGARIA	9.00
3	Vidović Dragan	GAVRILOVIĆ	8.00
3	Cerjak Nikola	GAVRILOVIĆ	8.00
			<b>35.00</b>
<b>50 kg</b>			
1	Torba Erik	HUNGARY	10.00
2	Mihalec Luka	CROATIA	9.00
3	Santa Ferenc Robert	HUNGARY	8.00
3	Hristov Ioto	BULGARIA	8.00
5	Brala Toni	CROATIA	6.00
5	Zgurić Juraj	GAVRILOVIĆ	6.00
7	Petrak Mario	METALAC	4.00
			<b>51.00</b>
<b>54 kg</b>			
1	Losonczy Otto	HUNGARY	10.00
2	Huklek Ivan	CROATIA	9.00
3	Glasnović Mario	METALAC	8.00
3	Grigorov Stefan	BULGARIA	8.00
5	Kovacs Bence	HUNGARY	6.00
5	Grebeniček Jurica	HRVATSKI DRAGOVOLJAC	6.00
			<b>47.00</b>
<b>58 kg</b>			
1	Papp Bertalan	HUNGARY	10.00
2	Juhasz Istvan	HUNGARY	9.00
3	Kljajić Alen	CROATIA	8.00
3	Georgiev Vladimir	BULGARIA	8.00
5	Petriš Matija	PIK VRBOVEC	6.00
5	Grabovac Marko	SISAK	6.00
7	Đorđević Nikola	PIK VRBOVEC	4.00
8	Nogić Antonio	GAVRILOVIĆ	3.00
9	Levanić Valentino	VINDIJA	2.00
10	Trbulin Filip	SLOVENIA	1.00
11	Pajur Antonio	PIK VRBOVEC	
12	Hasanović Kemal	BOSNIA AND HERZEGOVINA	
			<b>57.00</b>
<b>63 kg</b>			
1	Fek Szabolc	HUNGARY	10.00
2	Šimatić Kristijan	CROATIA	9.00
3	Šačić Filip	CROATIA	8.00
3	Pamuki Tamas	HUNGARY	8.00
5	Tahir Ahmet	BULGARIA	6.00
5	Klarić Matej	GAVRILOVIĆ	6.00
7	Banjedvrec Dominik	ZAGREB	4.00
8	Purgarić Izidor	ZAGREB	3.00
9	Četković Goran	INAS	2.00
10	Kapular Mateo	ZAGREB	1.00
11	Gradečak Alen	VINDIJA	
			<b>57.00</b>



# POJEDINAČNI POREDAK PO KATEGORIJAMA

Croatia OPEN 2011

ZAGREB, 21.5.2011.

KADETI - GR

69 kg			
1	Sarosi Janos Richard	HUNGARY	10.00
2	Iliev Stiliyan	BULGARIA	9.00
3	Brezak Stjepan	CROATIA	8.00
3	Szabo Daniel	HUNGARY	8.00
5	Mihalj Mario	CROATIA	6.00
5	Ivanov Petar	BULGARIA	6.00
7	Sečko Mitja	SLOVENIA	4.00
8	Botko David	PIK VRBOVEC	3.00
9	Dobrenić Milan	GAVRILOVIĆ	2.00
10	Luburić Vjekoslav	PIK VRBOVEC	1.00
11	Zelić Filip	CROATIA	
12	Vazdar Igor	SESVETSKI KRALJEVEC	
12	Čačija Filip	SESVETSKI KRALJEVEC	
14	Purgarić Eugen	ZAGREB	
			<b>57.00</b>

76 kg			
1	Ramadanovski Ayrun	BULGARIA	10.00
2	Szeker Istvan Mate	HUNGARY	9.00
3	Barišić Ivan 1994	CROATIA	8.00
3	Kertesz Robert Bence	HUNGARY	8.00
5	Cerovšek Luka	HRVATSKI DRAGOVOLJAC	6.00
5	Novak Josip	HRVATSKI DRAGOVOLJAC	6.00
7	Deanović Zvonimir	HRVATSKI DRAGOVOLJAC	4.00
8	Ačkar Haris	BOSNIA AND HERZEGOVINA	3.00
9	Filipović Mate	CROATIA	2.00
10	Prešljjič Mitja	SLOVENIA	1.00
11	Pučar Domagoj	CROATIA	
12	Bakšaj Svebor	VINDIJA	
13	Iljkić Mario	METALAC	
13	Pepel Gregor	SLOVENIA	
			<b>57.00</b>

85 kg			
1	Torok Zsolt	HUNGARY	10.00
2	Naydenov Nikolay	BULGARIA	9.00
3	Jelavić Matej-1994	SLATINA	8.00
3	Šokčević Ivan	CROATIA	8.00
5	Bagarić Josip	LIKA	6.00
5	Brezak Ivan	METALAC	6.00
7	Bagarić Domagoj	LIKA	4.00
8	Stunja Josip	KLINČA SELA	3.00
9	Kajfeš Luka	LIKA	2.00
			<b>56.00</b>

100 kg			
1	Mertse Adam Gyorgy	HUNGARY	10.00
2	Šavuk Dino	SESVETE	9.00
3	Pechar Mateo	SESVETE	8.00
3	Čosić Elvir	BOSNIA AND HERZEGOVINA	8.00
5	Kanižić Vinko	VINDIJA	6.00
5	Vidović Stjepan	CROATIA	6.00
			<b>47.00</b>



# POREDAK PO EKIPAMA

Croatia OPEN 2011

ZAGREB, 21.5.2011.

KADETI - GR

R.br.	EKIPA	MJESTO	42 kg	46 kg	50 kg	54 kg	58 kg	63 kg	69 kg	76 kg	85 kg	100 kg	Ukupno
1.	HUNGARY				18.0	16.0	19.0	18.0	18.0	17.0	10.0	10.0	126.0
2.	CROATIA			10.0	15.0	9.0	8.0	17.0	14.0	10.0	8.0	6.0	97.0
3.	BULGARIA		10.0	9.0	8.0	8.0	8.0	6.0	15.0	10.0	9.0		83.0
4.	GAVRILOVIĆ	PETRINJA		16.0	6.0		3.0	6.0	2.0				33.0
5.	HRVATSKI DRAGOVOLJAC	ZAGREB	9.0			6.0				16.0			31.0
6.	METALAC	ZAGREB			4.0	8.0					6.0		18.0
7.	SESVETE	ZAGREB										17.0	17.0
8.	PIK VRBOVEC	VRBOVEC					10.0		4.0				14.0
9.	LIKA	ZAGREB									12.0		12.0
10.	BOSNIA AND									3.0		8.0	11.0
11.	SLATINA	SLATINA									8.0		8.0
12.	VINDIJA	VARAŽDIN					2.0					6.0	8.0
13.	ZAGREB	ZAGREB						8.0					8.0
14.	SISAK	SISAK					6.0						6.0
15.	SLOVENIA						1.0		4.0	1.0			6.0
16.	KLINČA SELA	KLINČA SELA									3.0		3.0
17.	INAS	ZAGREB						2.0					2.0
18.	SESVETSKI KRALJEVEC	ZAGREB											
<b>UKUPNO</b>			<b>19.0</b>	<b>35.0</b>	<b>51.0</b>	<b>47.0</b>	<b>57.0</b>	<b>57.0</b>	<b>57.0</b>	<b>57.0</b>	<b>56.0</b>	<b>47.0</b>	<b>483.0</b>